

1 h.



Drilling machine, wrench

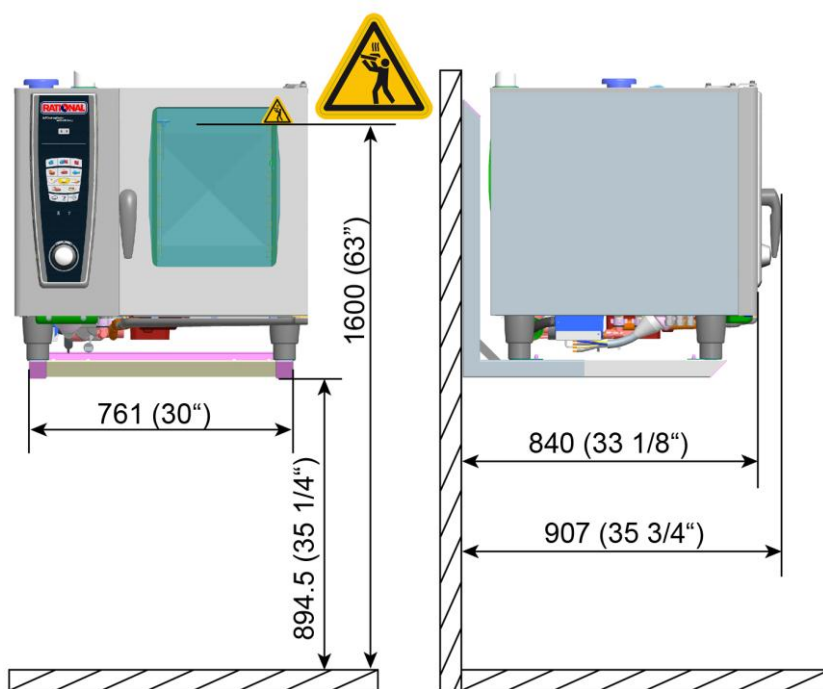


SCC 61, SCC_WE 61, CM 61, CM_P 61 / EG

Please forward this information directly to all members of your service department!

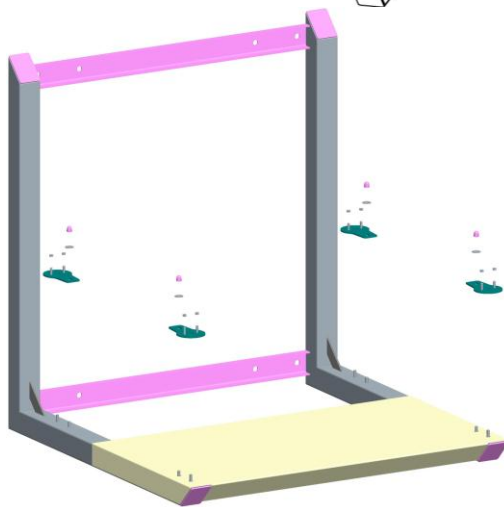
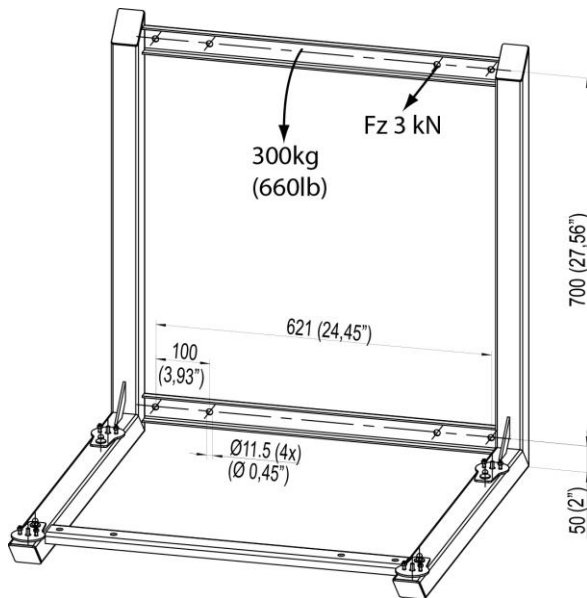
**Attention:**

- The wall mounting frame must only be installed at the location which was specified by the architect/structural engineer together with the building contractor per local, state and federal codes for structure and mounting to ensure a safe installation.
- Additionally, the architect/structural engineer together with the building contractor must specify the suitable mounting materials (mounting materials are not included in the kit or instructions of the mounting frame and are the responsibility of the installer designer/architect and contractor). The architect/structural engineer must also ensure that the mounting surface (wall or support) is suitable and adequate to support the overhung load and its weight and that this will not affect the wall or wall supports.
- For installation, a maximum combined weight of 300 kg (660lb) must be observed, this includes unit weight, product and any other items supported by this frame.
- The installation and mounting of the frame and unit must only be carried out by qualified personal who are familiar with installation and commissioning of the appliance.
- For installation, always comply with all local, state or federal codes having jurisdiction.
- Incorrect, inadequate or use of fasteners hardware unable to support the installation and equipment can cause serious injuries and or damage to equipment and property.
- The wall mounting frame is exclusively designed for mounting of the RATIONAL SelfCooking Center® / Combi Master model 61 size electric or gas unit only.
- Any other usage of the wall mounting frame other than intended by RATIONAL, will not be approved or condoned. Installation other than intended, described and previously stated can cause damage and is considered dangerous and is not RATIONAL's liability nor responsibility.
- RATIONAL is not liable for damages caused by incorrect mounting, use of inadequate hardware/fasteners, support and attachment of the appliance and mounting frame.



- When locating the mounting height of the frame, observe that the maximum height of the top rail of the unit which should be at 1600 mm (63") or 894.5 mm (35.25") to bottom of frame as set.

1.



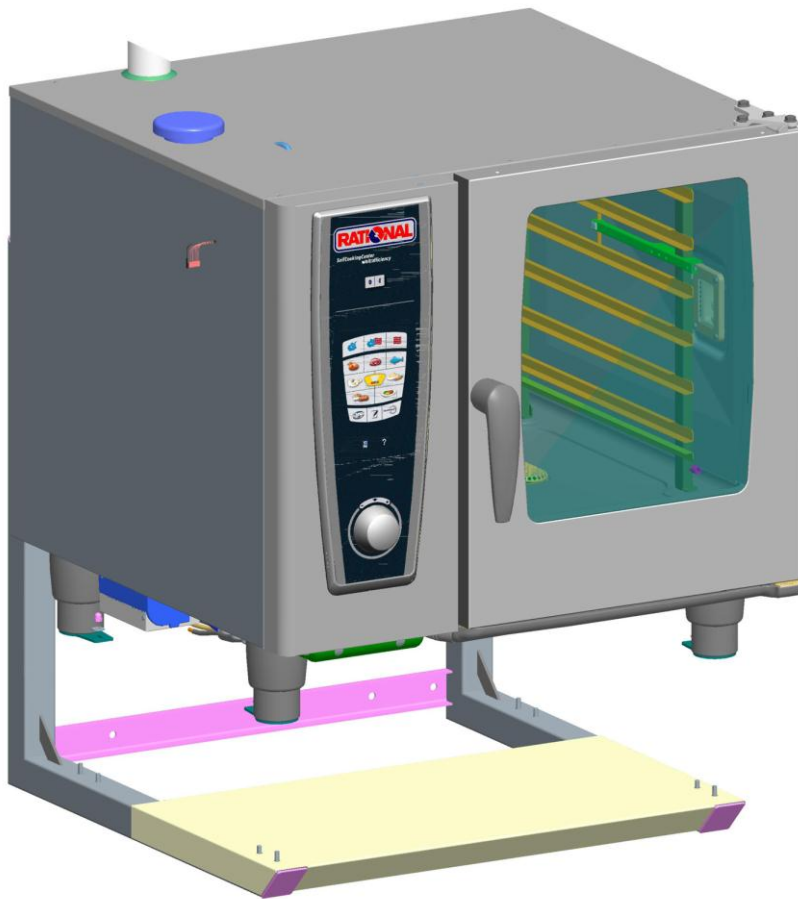
- Locate the wall mounting frame to the specified position with the specified mounting material (consult local codes and design architect for specific materials to be used in your area and or on this installation).
- For attachment, you can use either the four inner or the four outer holes of the frame. A minimum of four bolts of either pattern must be used.
- Mount the sheet metal cover to the front of the frame.

2.



- Unscrew the lower parts of the unit legs
- fit the retaining plates to the lower part of the legs
- Refit the lower parts of the legs.

3.



- Put the unit onto the wall mounting frame. Make sure that the studs of the wall mounting frame stick into the unit legs.

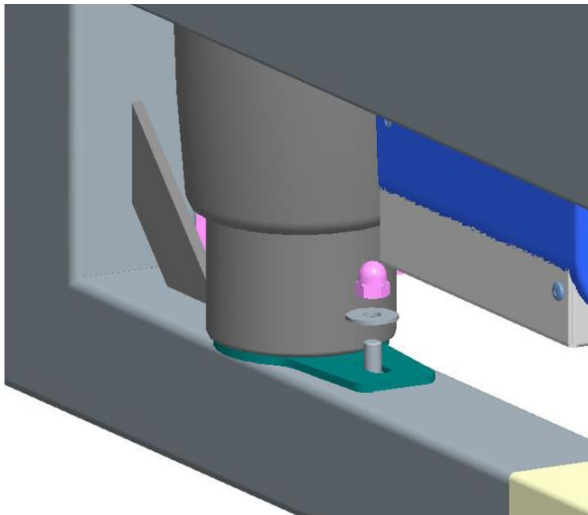


Attention:

Be careful of the unit weight when lifting it up to the final location and frame. NOTE: do not drop or allow unit to unexpectedly fall onto the frame as hidden damage could occur to the unit and supports.

SCC 61 Electric	110 kg	(242 lb)
CM 61 Electric	99 kg	(218 lb)
SCC 61 Gas	126 kg	(278 lb)
CM 61 Gas	121 kg	(267 lb)

4.



- Fasten the retaining plates of the unit legs with the cap nuts and washers to the wall mounting frame